

WISE

WARNING!

**DO NOT USE AS
FREE STANDING SEAT**

**Pontoon Bench Seating
must have railing or
support to place back
against for installation.**

**PLASTIC CORNER GUARDS ARE FOR SHIPPING PURPOSES ONLY
THEY CAN BE REMOVED**

WF1123

THE WISE COMPANY

MANUFACTURERS OF QUALITY MARINE SEATING SINCE 1960

472 WEST 9TH ST., RECTOR, AR 72461 • TOLL FREE TEL: 1.800.759.5769 • www.wiseseats.com

WISE

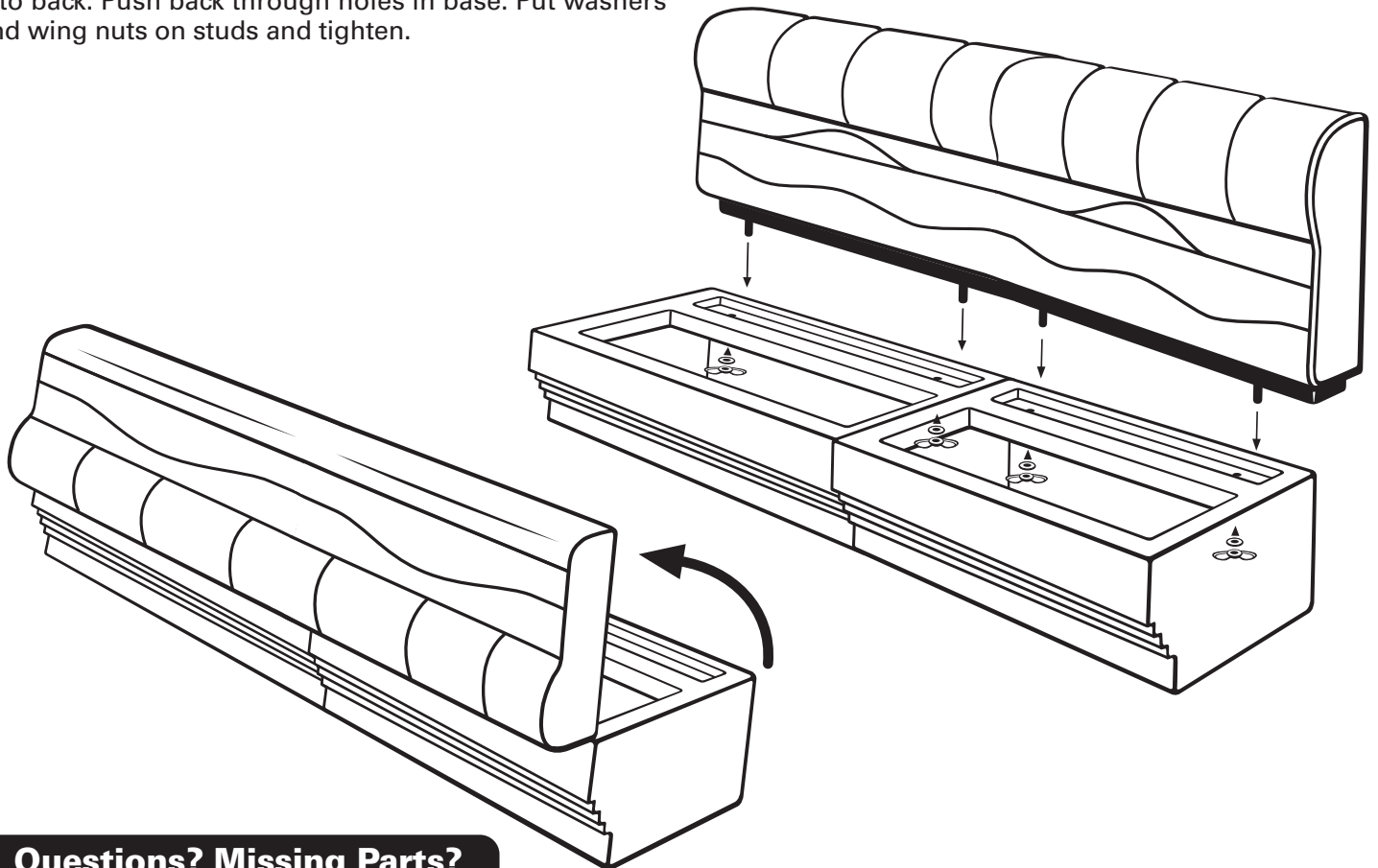
55" BENCH SEAT ASSEMBLY INSTRUCTIONS

QUALITY PREMIUM & DESIGNER PLASTIC PONTOON SEATING

PACKAGE CONTENTS

Three cartons containing a seat and backrest cushion set and two bases.

- The only tools needed are a pair of pliers and a Phillips screwdriver.
- Seat cushion must be attached to the front of the base. Flip up to install backrest, (see illustration below).
- The backrest will slide directly into the recess located at the back of the base.
- To permanently attach backrest, screw the 1/4"x 2" studs into back. Push back through holes in base. Put washers and wing nuts on studs and tighten.



**Questions? Missing Parts?
Call 1.800.759.5769**

Above items are not manufactured
for commercial use.

THE WISE COMPANY

WF1155

MANUFACTURERS OF QUALITY MARINE SEATING SINCE 1960

462 WEST 9TH ST., RECTOR, AR 72461 • TOLL FREE TEL: 1.800.759.5769 • www.wiseseats.com